

Pendant&Surface CS7070

# CS7070-A60



# CS7070-A60

## Basic Parameters

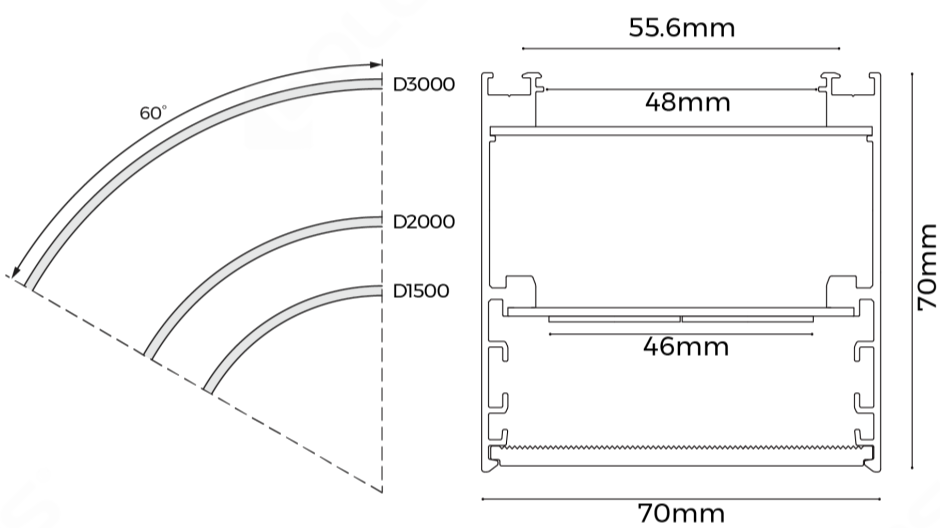
Application	Indoor
Material	AL6063-T5,spraying surface
IP Grade	IP20
Warranty	5 years

## Electrical Parameters

## Optical Parameters

Length	D1500mm,D2000mm,D3000mm
Luminous Efficacy	85LM/W

## Dimensions

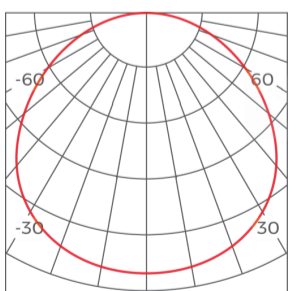


## Luminaire Parameters

Version	Size(mm)	Power(W)	PCB Current(A)	CRI	CCT	Lumens(LM) @White, Sliver	Lumens(LM) @Black
Regular	D1500mm	43	1.79	>80	4000K	3655	3106
Regular	D2000mm	58	2.42	>80	4000K	4930	4190
Regular	D3000mm	89	3.71	>80	4000K	7565	6430
Regular	D1500mm	43	1.79	>90	4000K	3143	2671
Regular	D2000mm	58	2.42	>90	4000K	4239	3603
Regular	D3000mm	89	3.71	>90	4000K	6505	5530

## Light Distribution

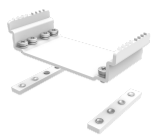
Regular-110°



h(m)	D(cm)	E(lx)
1	285	987
2	571	237
3	856	101
4	1142	57

## Common Accessories

## Splicing accessory



### EX-E20

Applicable product model: CS7070  
Material process: SPCC/ Electrophoresis  
Size: L66.8\*W30\*H15.7mm  
Quantity: 1 PCS/SET  
Other: Includes mounting screws.

## Dedicated light source



### DM51202423

Applicable product model: CS5035/CS5070/CE5035 (stick a single strip)  
CS7035/CS7070/CE7035 (paste two strips placed parallel to each other)  
Size: 4000\*23\*1.5mm/5000\*23\*1.5mm  
Cutting Unit: 50mm  
Input Voltage: DC24V  
Typ. Power: 14.4W/M (5M/roll); 24W/M (4M/roll)  
Typ. luminous flux:  
800LM/M@RGBNW (5M/roll)  
1320LM/M@RGBNW (4M/roll)  
CCT: RGB(DMX)+2700/RGB(DMX)+3000/RGB(DMX)+4000/RGB(DMX)+6000K  
CRI: RA80 @ white light  
Other: 20# wire diameter, outer diameter 5.5mm, PVC material; 5PIN red/black/green/blue/white wire



### DS81602423

Applicable product model: CS5035/CS5070/CE5035 (stick a single strip)  
CS7035/CS7070/CE7035 (paste two strips placed parallel to each other)  
Size: 4000\*23\*1.5mm/5000\*23\*1.5mm  
Cutting Unit: 50mm  
Input Voltage: DC24V  
Typ. Power: 14.4W/M (5M/roll); 24W/M (4M/roll)  
Typ. luminous flux:  
2300LM/M@RA80,4000k (5M/roll)  
3600LM/M@RA80,4000k (4M/roll)  
CCT: 2700/3000/3500/4000/5000/6500K  
CRI: 80/90  
Other: 18# wire diameter, PVC material, 2PIN red-black wire



### DS83202423

Applicable product model: CS5035/CS5070/CE5035 (stick a single strip)  
CS7035/CS7070/CE7035 (paste two strips placed parallel to each other)  
Size: 3000\*23\*1.5mm/4000\*23\*1.5mm  
Cutting Unit: 50mm/16LEDs  
Input Voltage: DC24V  
Typ. Power:  
48W/M (2700K+6500K)@3M/roll  
28.8W/M (2700K+6500K)@4M/roll  
Typ. luminous flux:  
4000LM/M@RA80,2700K+6500K (4M/roll)  
6700LM/M@RA80,2700K+6500K (3M/roll)  
CCT: 2700K+6500K  
CRI: 80/90  
Other: Outer diameter 6mm, 18# wire diameter, brown-blue-green 3PIN crystal wire

## Cover



### CV-CS7035D

Applicable product model: CS7035/CS7070/CE7035 (suitable for down-lighting)  
Diffuser Nature: Diffuser  
Material process: Silica gel flexible/smooth  
Light transmittance: ≥65%  
Size: 20000\*67.2\*5mm  
Other: Fire protection rating UL94-V2;

## Controller



### CR2-GBA

Product Name: CR2-GBA  
Input Voltage: 12-48V  
Output Current: 8A\*2CH, Max 16A  
Output Power: 192W/384W@12V/24V, 384W/576W@36V/48V  
Dimming Mode: Two-color 2.4 remote control  
IP: IP20  
Product Size: L175\*W45\*H27(mm)



### K-1000C

Product Name: K-1000C  
Input Voltage: 5-24V  
Control Pixel Points: Point Control 1CH\*1024(SPI), Point Control 1CH\*512(DMX)  
Dimming mode: DMX/SPI control  
IP: IP20  
Warranty: 5 years



### K-8000C

Product Name: K-8000C  
Input Voltage: 5-24V  
Control Pixel Points: Point Control 8CH\*1024(SPI), Point Control 8CH\*512(DMX)  
Dimming mode: DMX/SPI control  
IP: IP20  
Warranty: 5 years

## End cap accessory



### EC-MS7070

Applicable product model: MS7070  
Material process: aluminum/powder spraying  
Size: L70\*W70\*H2.5mm  
Quantity: 2PCS/set

## Installation accessory



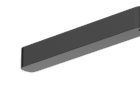
### CL-15

Applicable product model: CSXX70  
 Installation method: ceiling  
 Material process: /  
 Size: KA3.5\*50mm  
 Quantity: 2PCS/ set



### CP-55

Applicable product model: MS7035/MS7070/ME7035  
 Applicable installation: Pendant/Ceiling/Recessed  
 Material process: Stainless Steel  
 Size: L57.87\*W20\*H5.4mm  
 Quantity: 4 PCS/SET



### PB-09

Applicable product model: CS3535/CS5035/CS7035/CS3570/CS5070/CS7070  
 Installation method: pendant(Power box with wire)  
 Material process: SPCC/powder spraying  
 Maximum weight capacity: 8Kg  
 Size:  
 Power Box: L400\*W55\*H50mm  
 Wire: D3\*2000mm  
 Quantity: 1PCS/ set  
 Note:  
 1. Including 1PCS Power Box+1PCS input wire; Power supply not included.  
 2. One power box holds one power supply  
 3. Need to order separate clip(CP-XX) to use with it



### PB-10

Applicable product model: CS3535/CS5035/CS7035/CS3570/CS5070/CS7070  
 Installation method: pendant(Power box with rod)  
 Material process: SPCC/powder spraying  
 Size: Power Box: L400\*W55\*H50mm  
 Rod: 1-2 meter adjustable  
 Wire: D3\*2000mm  
 Quantity: 1PCS/ set  
 Note:  
 1. Including 1PCS Power Box+1PCS input wire+1PCS rod; Power supply not included.  
 2. One power box holds one power supply  
 3. Need to order separate clip(CP-XX) to use with it



### PG-IXXX

Applicable product model: LS1911C/LS1911K/LS3535/LS5050/LS3360/LS4067/LS5470(F)/LS7977/LT60/BH3360/BH5470/BH7977/BS3360/BS5470/BS7977/LS60/S60/LS25/LH40FD/LH40FP/LH40G/LS40FD/LS40FP/LS40G/LS40GW/M20FD/M20G(A)/M20G/M20I/M20S/R25FD/R25FP/R25G/R25KD/R25L/R35I/R35S/RNR3OMJ/RNR3ONJ/RNR3ONK  
 Installation method: pendant  
 Material process: /  
 Maximum weight capacity: 8KG  
 Quantity: 2PCS/ set  
 Other: Pendant rod (1-2m adjustable), include 2pcs pendant rods, 2 pcs rectangular screw



### PN(E)-D

Applicable product model: LINE ECO series  
 Installation method: Pendant  
 Material process: Nickel plating  
 Size: /  
 Quantity: 2PCS/SET  
 Other: 2 meter wire rope 2PCS, cable locker 2PCS, cable holder 2PCS, M5 flat head Phillips screws 2PCS, M4\*35mm screws 2PCS, expansion tube 2PCS



### PN-DXX

Applicable product model: LS1911C/LS1911K/LS3535/LS5050/LS3360/LS4067/LS5470(F)/LS7977/LT60/BH3360/BH5470/BH7977/BS3360/BS5470/BS7977/LS5470(F)/LS7977/LT60/LINE40 series product/LINE60 series product/TLS-R6X0 track  
 Installation method: Pendant  
 Material process: Pearl Chrome  
 Size: /  
 Quantity: 2PCS/ set  
 Other: Junction box not included, 2 pcs pendant cable accessory, pendant cable length 4m, rectangular screw model.



### PP-A

Applicable product model: CS3535/CS5035/CS7035/CS3570/CS5070/CS7070  
 Installation method: pendant(Ceiling plate with wire)  
 Material process: Fe/powder spraying  
 Maximum weight capacity: 3Kg  
 Size: Ceiling Plate: D88\*29mm/Wire: D3\*2000mm  
 Open hole: D75mm  
 Quantity: 1PCS/ set  
 Note : 1. Including 1PCS Ceiling plate+2PCS spring s+1PCS input wire. 2. One ceiling plate holds one power supply. 3. Need to order separate clip(CP-XX) to use with it.



### PP-G

Applicable product model: CS3535/CS5035/CS7035/CS3570/CS5070/CS7070  
 Installation method: pendant(Ceiling plate with rod)  
 Material process: Fe/powder spraying  
 Maximum weight capacity: 3Kg  
 Size: Ceiling Plate: D88\*29mm/Rod: 1-2 meter adjustable/Wire: D3\*2000mm  
 Open hole: D75mm  
 Quantity: 1PCS/ set  
 Note : 1. Including 1PCS Ceiling plate+2PCS springs+1PCS input wire+1PCS rod. 2. One ceiling plate holds one power supply. 3. Need to order separate clip(CP-XX) to use with it.

## CCT-Remote control



### R7-1

Product Name: R7-1 Dual Color Remote  
 Working Voltage : 3VDC (Battery CR2032)  
 Operating Frequency: 2.4GHz  
 Remote Control Distance: 30 meters  
 Operating Temperature: -30°C~55°C  
 Product Size: L107\*W58.5\*H9(mm)

## Power Supply



### BK-DEV200-24V0D

Applicable product model: General  
 Dimming mode: DALI2,PUSH-dimming,1-10V 3in1 dimming  
 Size: 361\*33.1\*22.8mm  
 Input voltage: AC200-240V  
 Operating frequency: 50/60Hz  
 PF value: ≥0.9  
 Output voltage: DC24V  
 Output current: ≤8.3A  
 Power: 200W  
 Efficiency: 0.92  
 Certification: TUV, CE, RCM  
 Case material: Metal housing



### BK-DGVX-24V0D

Product Name: BK-DGV036-24V0D/BK-DGV060-24V0D/BK-DGV100-24V0D  
 Applicable product model: General  
 Output power: 36W/60W/100W  
 Output current: ≤1.5A/≤2.5A/≤4.2A  
 Product size: 245.0\*30.0\*21.0mm/285.0\*30.0\*21.0mm/355.0\*30.0\*21.0mm  
 Input voltage: AC200-240V  
 Operating frequency: 50/60Hz  
 Output voltage: DC24V  
 PF value: ≥0.9  
 Efficiency: ≥0.88  
 IP: IP20  
 Dimming mode: DALI-2,PUSH-Dimming,1-10V 3in1 Dimming  
 Certification: CE, ENEC, UKCA, RCM, CCC, EL  
 Material: Metal housing  
 Warranty: 5 years



### BK-MEV200-24V0M

Applicable product model: General  
 Dimming mode: 1-10V Dimming  
 Size: 321.5\*48\*30mm  
 Input voltage: AC200-240V  
 Operating frequency: 50/60Hz  
 PF value: ≥0.9  
 Output voltage: DC24V  
 Output current: ≤8.3A  
 Power: 200W  
 Efficiency: 0.93  
 Certification: CE, ENEC, UKCA, RCM, CCC, EL  
 Case material: Metal housing



### BK-MGVX-24V0M

Product Name: BK-MGV036-24V0M/BK-MGV060-24V0M/BK-MGV100-24V0M  
 Applicable product model: General  
 Output power: 36W/60W/100W  
 Output current: ≤1.5A/≤2.5A/≤4.2A  
 Product size: 245.0\*30.0\*21.0mm/285.0\*30.0\*21.0mm/355.0\*30.0\*21.0mm  
 Input voltage: AC200-240V  
 Operating frequency: 50/60Hz  
 Output voltage: DC24V  
 PF value: ≥0.9  
 Efficiency: ≥0.89  
 IP: IP20  
 Dimming mode: 1-10V Dimming  
 Certification: TUV, CE, ENEC, RCM  
 Material: Metal housing  
 Warranty: 5 years



### LF-GHYXH24

Applicable product model: General  
 Dimming mode: Non-Dimming  
 Size: 316\*30.7\*22.8mm / 361\*33.1\*22.8mm  
 Input voltage: AC220-240V  
 Operating frequency: 50/60Hz  
 PF value: ≥0.9  
 Output voltage: DC24V  
 Output current: ≤4.25A / ≤10A  
 Power: 100W / 240W  
 Efficiency: 0.92  
 Certification: ENEC, CE, CB, RCM, UKCA, MM, CCC  
 Case material: Plastic

## Packing

QTY/CTN	N. WT (ctn)	G.WT (ctn)	Size (cm/carton)	Product Size (mm)
10	12.7	13.97	82*55*21	D1500*70*70mm
8	9.2	10.12	106.5*52*21	D2000*70*70mm
8	17.6	19.36	156.5*61*21	D3000*70*70mm